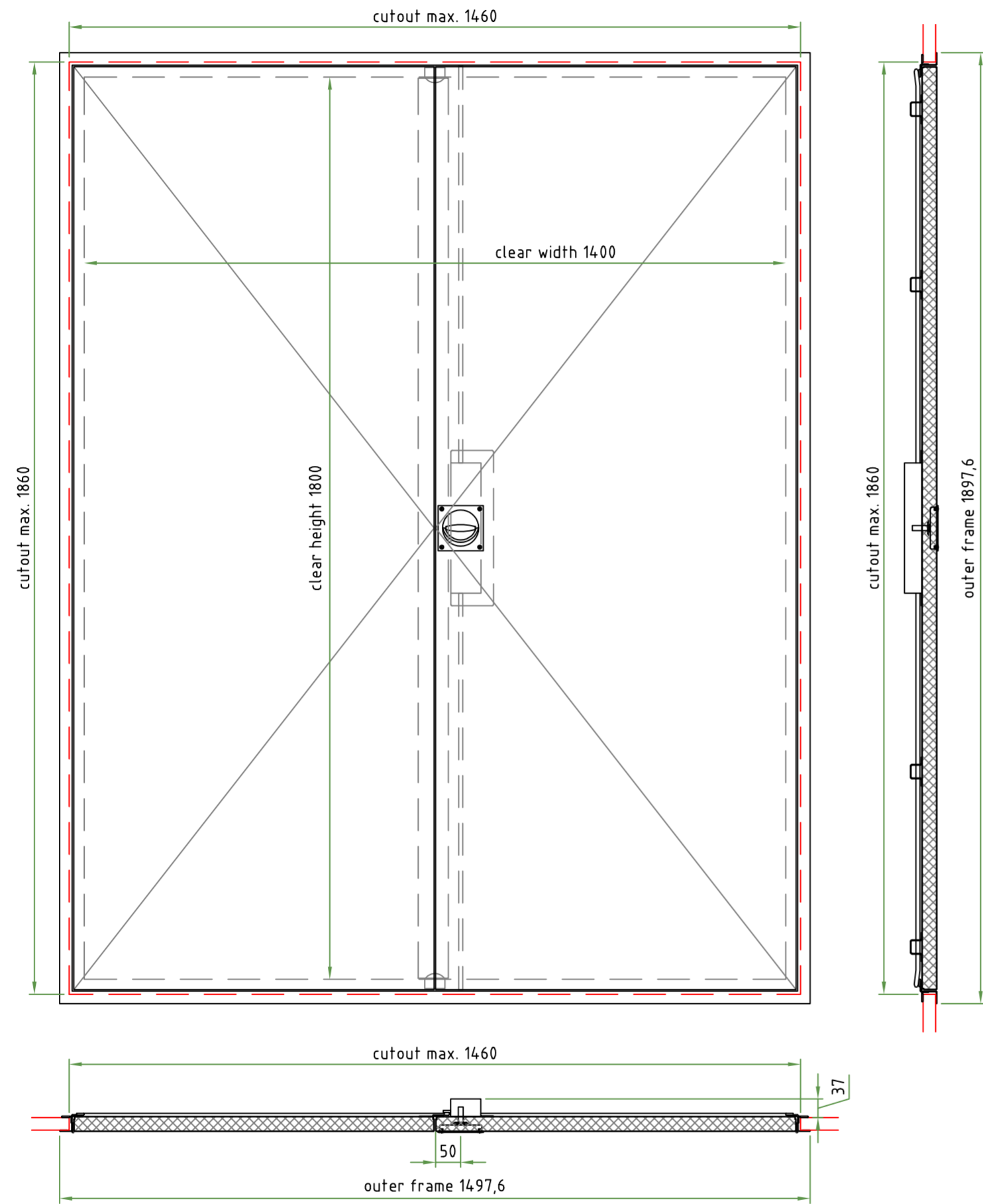
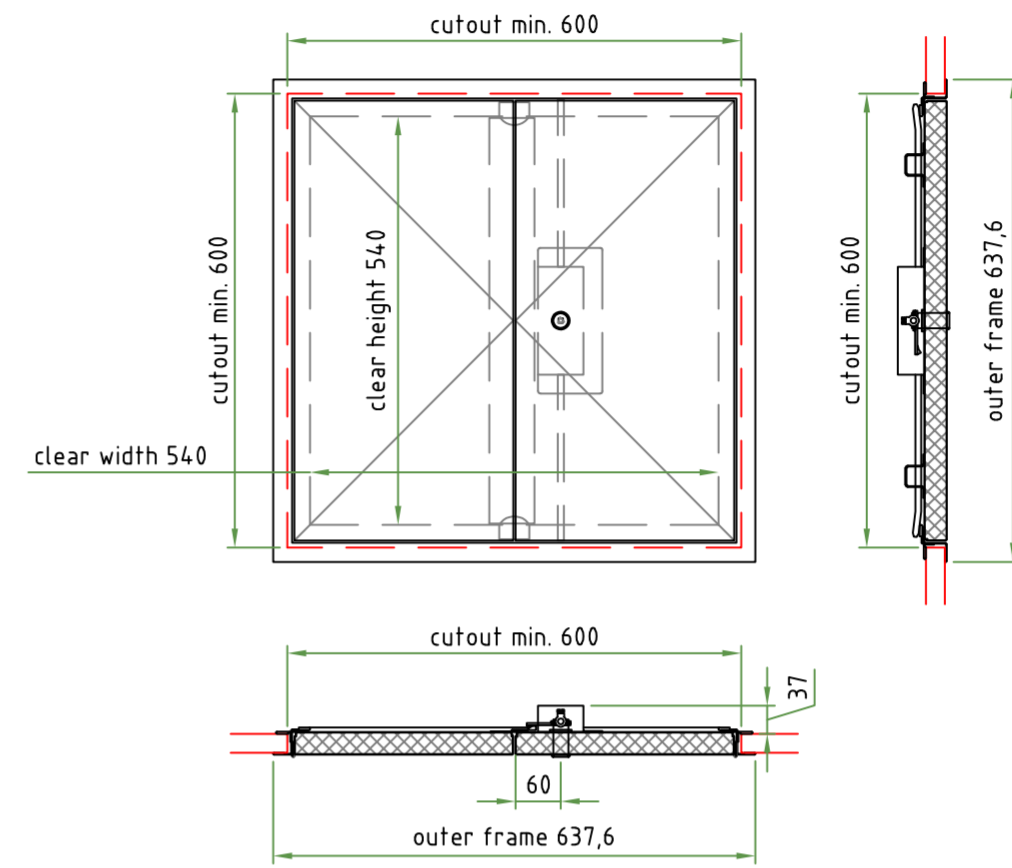


ID3-B15 - max. dimensions  
shell type handle  
M 1:10

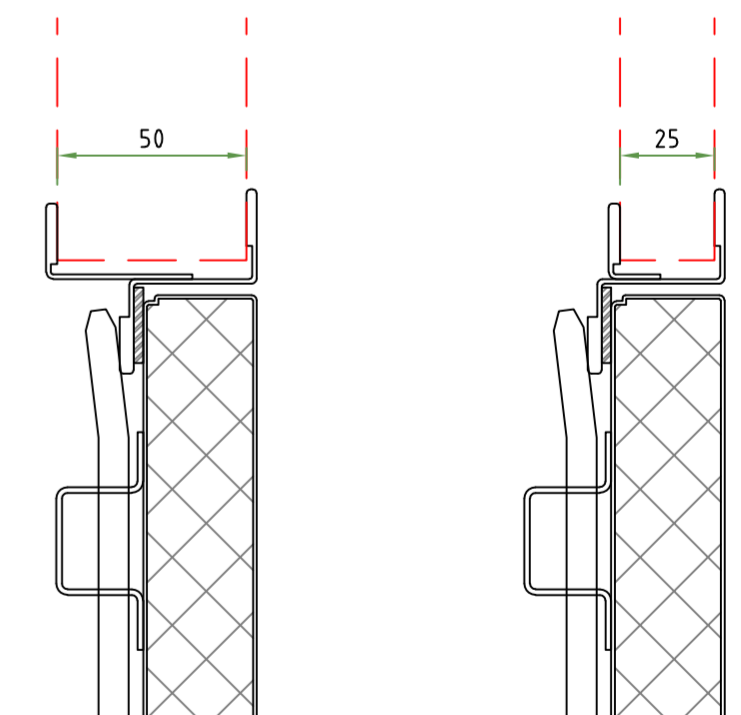


ID3-B15 - min. dimensions  
triangular / square lock  
M 1:10



Detail wall thickness

M 1:2



Dimensions:  
Min: Cutout W 600mm x H 600mm  
Max: Cutout W 1460mm x H 1860mm

CAD-System:		Tolerance		Scale 1:10		Weight	
				Name and No. of Typ			
08		Date	Name	Title			
07		Draw	17.03.2020	Revisionhatch			
06		Checked	XX.XX.XX	ID3-B15			
05		Stand	XX.XX.XX				
04							
03							
02							
01							
Rev. No.		Revision	Date	Name	Drawing No.		
					Repl. for		Repl. by

