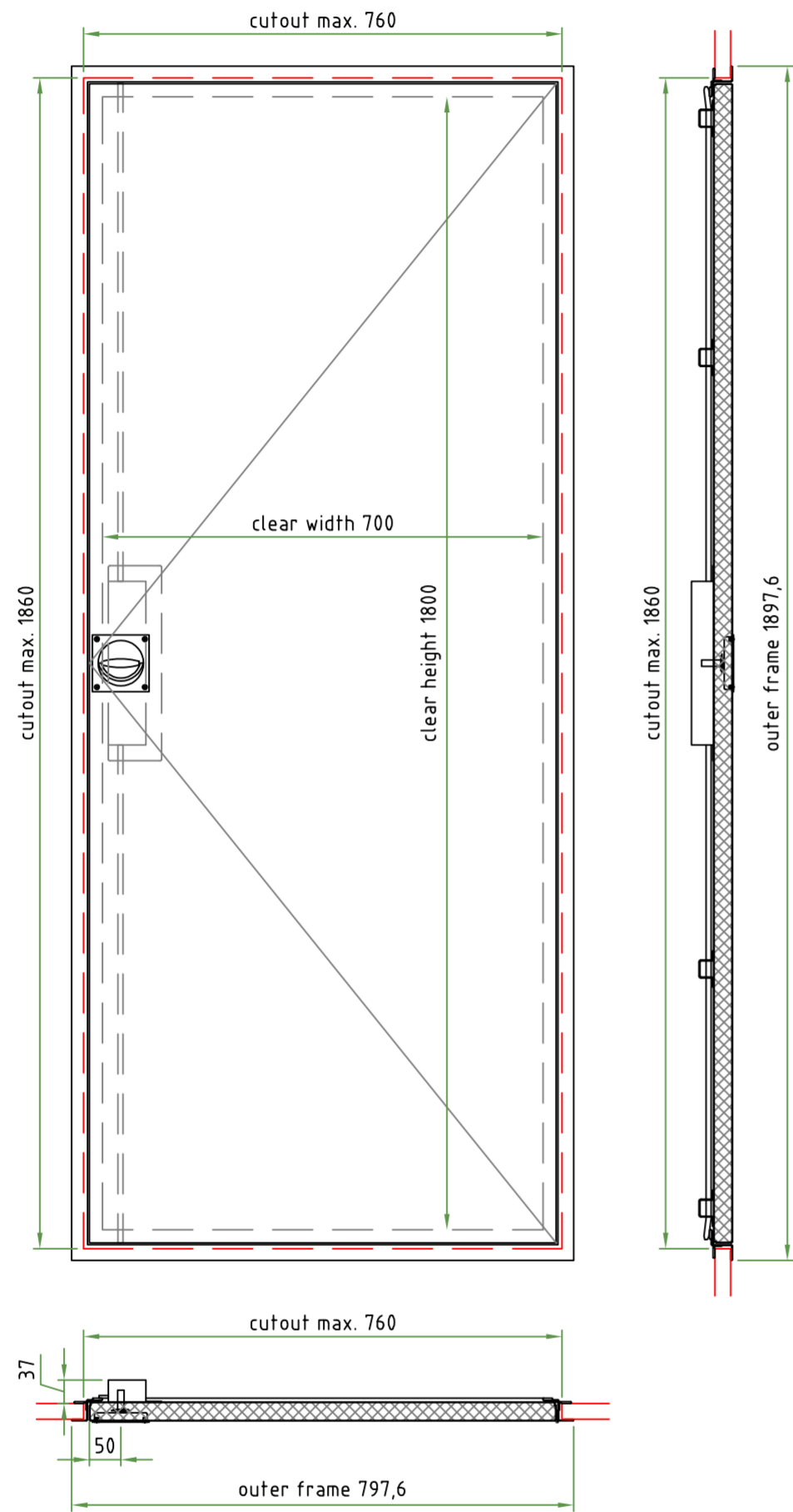
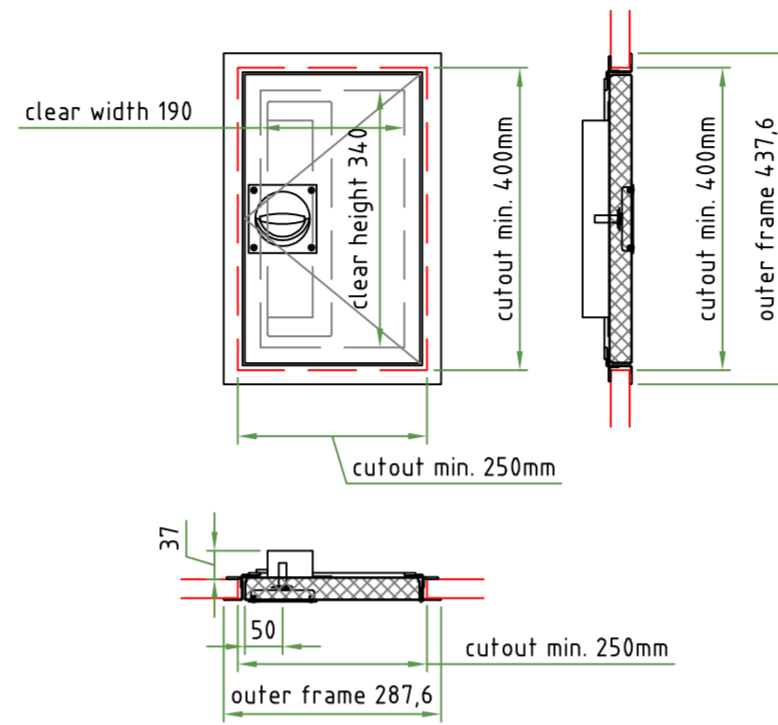


ID4-B15 - max. dimensions
shell type handle
M 1:10

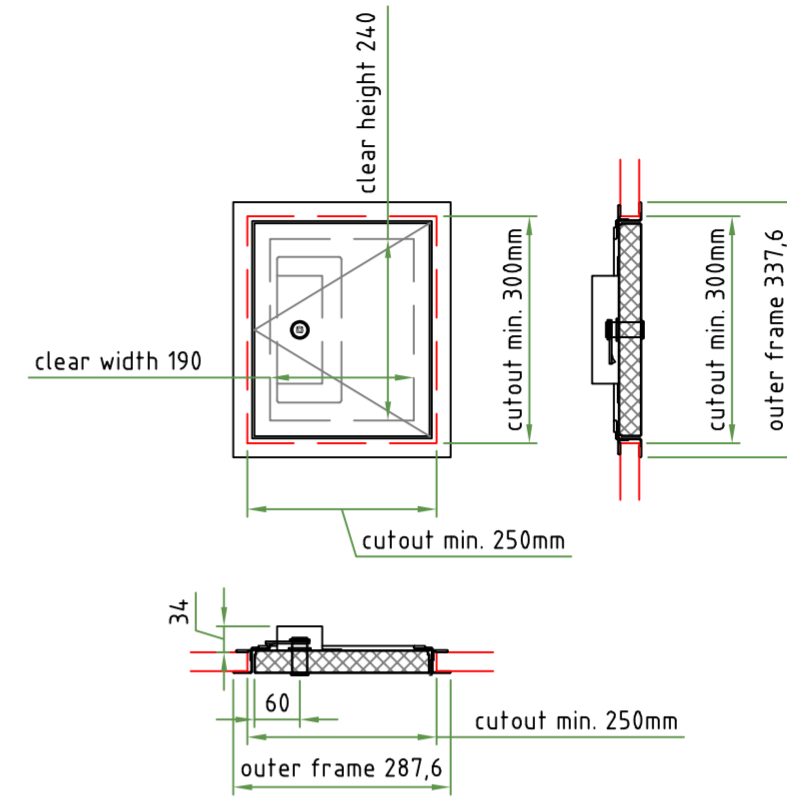


ID4-B15 - min. dimensions - shell type handle
M 1:10



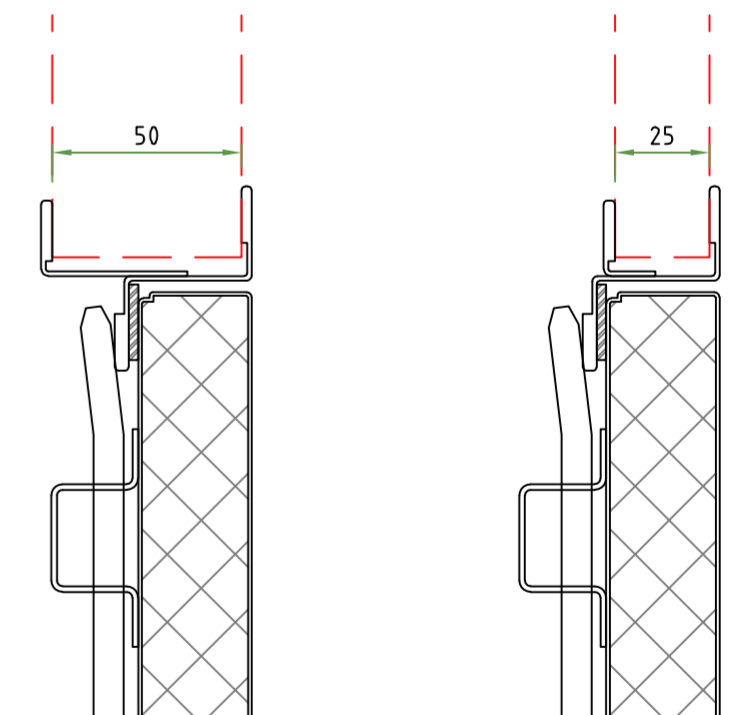
min. dimensions depending on lock type

ID4-B15 - min. dimensions - triangular/square lock
M 1:10



Detail wall thickness

M 1:2



Dimensions:

Min: depending on lock type
Max: Cutout W 760mm x H 1860mm

CAD-System:		Tolerance		Scale 1:10		Weight		
				Name and No. of Typ				
08		Date	Name	Title Revisionhatch ID4-B15				
07		Draw	17.03.2020					IH
06		Checked	XX.XX.XX					XXXXXX
05		Stand	XX.XX.XX					XXXXXX
04					Drawing No.			
03								
02								
01					Repl. for			
Rev.No.	Revision	Date	Name					Repl. by

LETHE
interior outfitting insulation