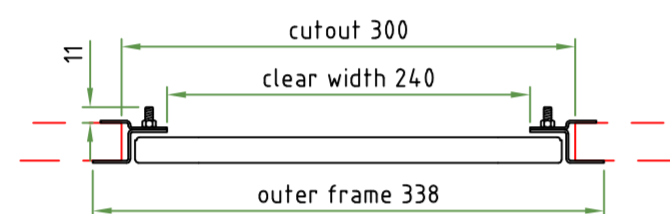
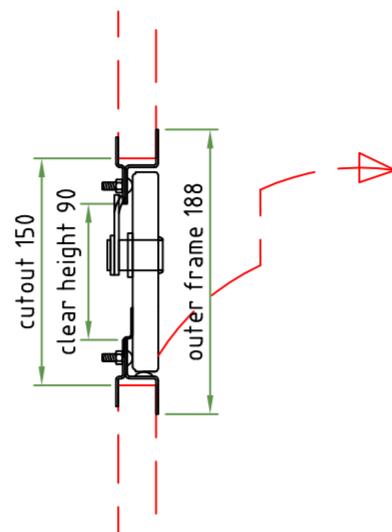
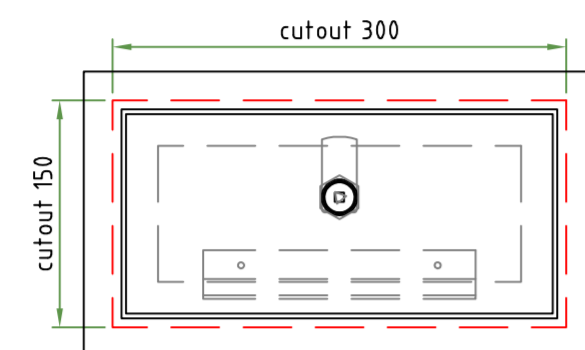
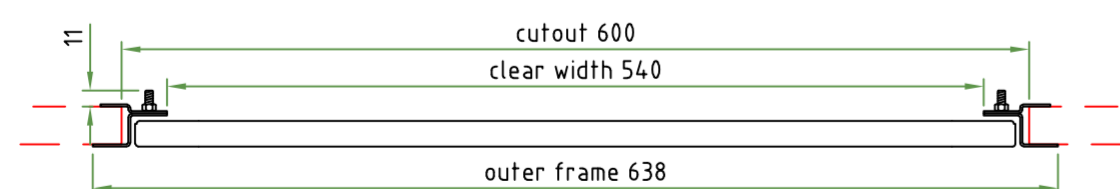
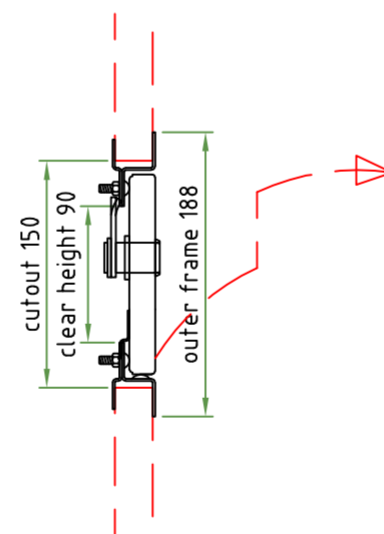
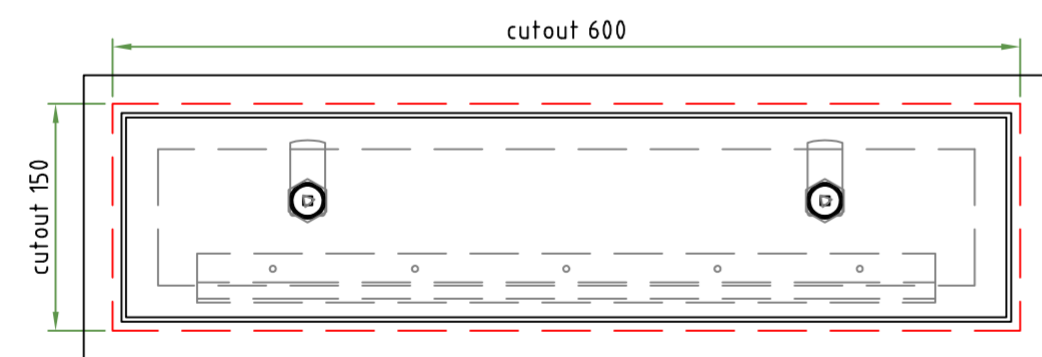


# min. dimensions C-plug in flap

C-plug in flap  
triangular / square lock  
M 1:5

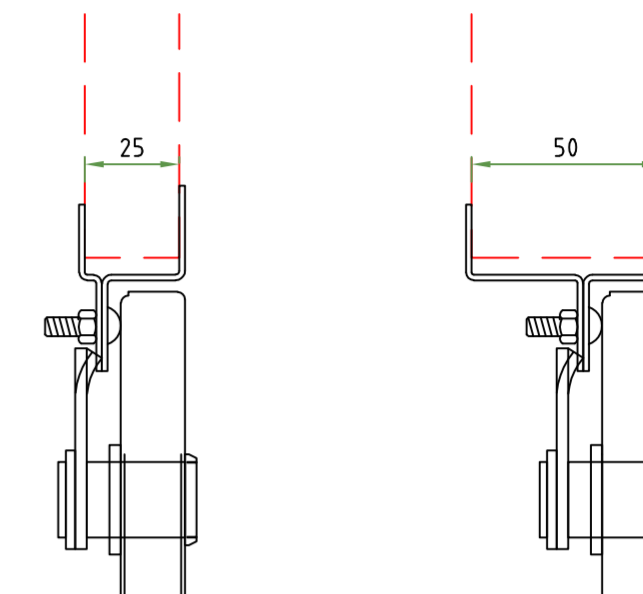


C-plug in flap - 2 locks for widths of 600mm and up  
triangular / square lock  
M 1:5




## Detail wall thickness

M 1:2



attention: plug in flaps always rest on Z-profile!

CAD-System:		Tolerance		Scale 1:5		Weight	
				Name and No. of Typ			
08		Date	Name	Title min. dimensions C-plug in flap			
07		Draw 17.03.2020	IH				
06		Checked XX.XX.XX	XXXXXX				
05		Stand XX.XX.XX	XXXXXX				
04							
03				Drawing No.			
02							
01							
Rev.No.	Revision	Date	Name	 interior outfitting insulation		Repl. for	Repl. by