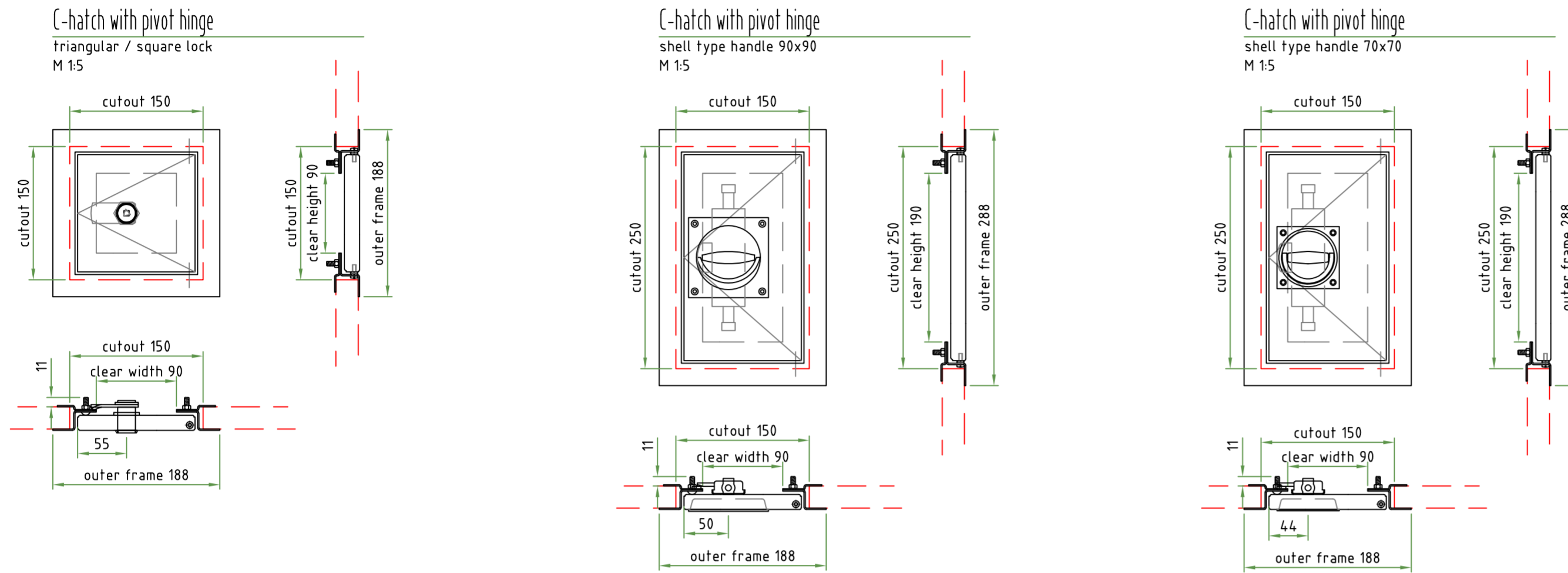


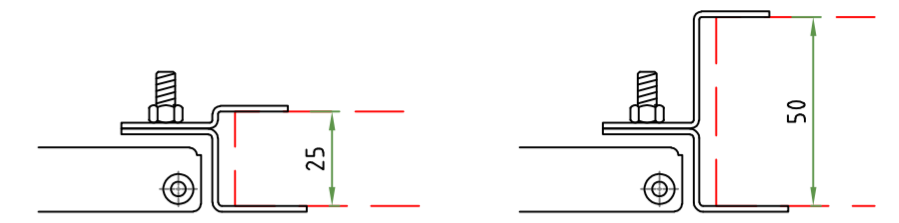
min. dimensions C-hatch with pivot hinge

for cutout heights up to 600mm - without thrust rod

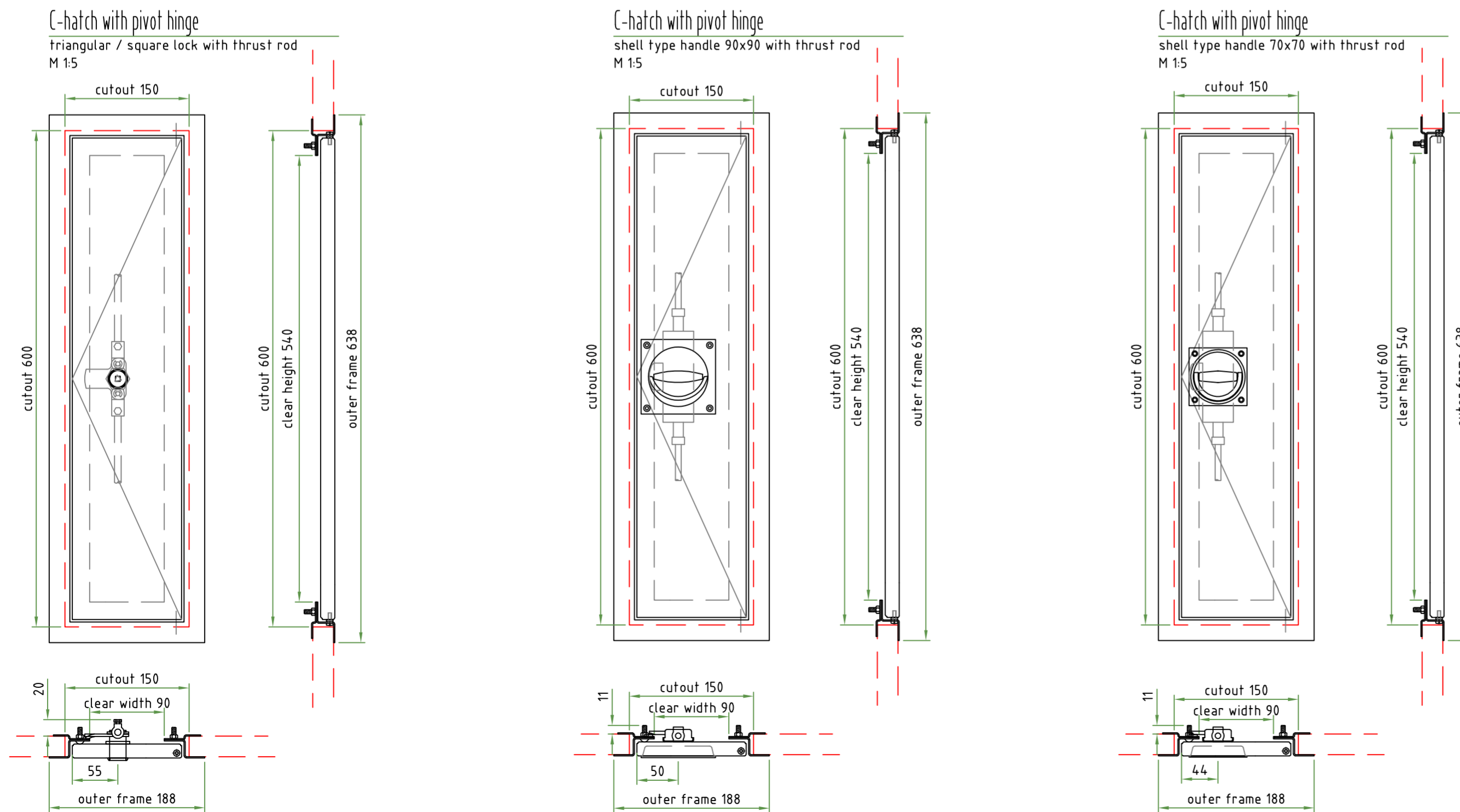


Detail wall thickness

M 1:2



for cutout heights from 600mm and up - with thrust rod



CAD-System:		Tolerance		Scale 1:5		Weight	
				Name and No. of Typ			
08		Date	Name	Title			
07		Draw 17.03.2020	IH	min. dimensions C-hatch with pivot hinge			
06		Checked XX.XX.XX	XXXXXX				
05		Stand XX.XX.XX	XXXXXX				
04							
03							
02				Drawing No.			
01				Repl. for			
Rev. No.	Revision	Date	Name	Repl. by			

LETHE
interior outfitting insulation