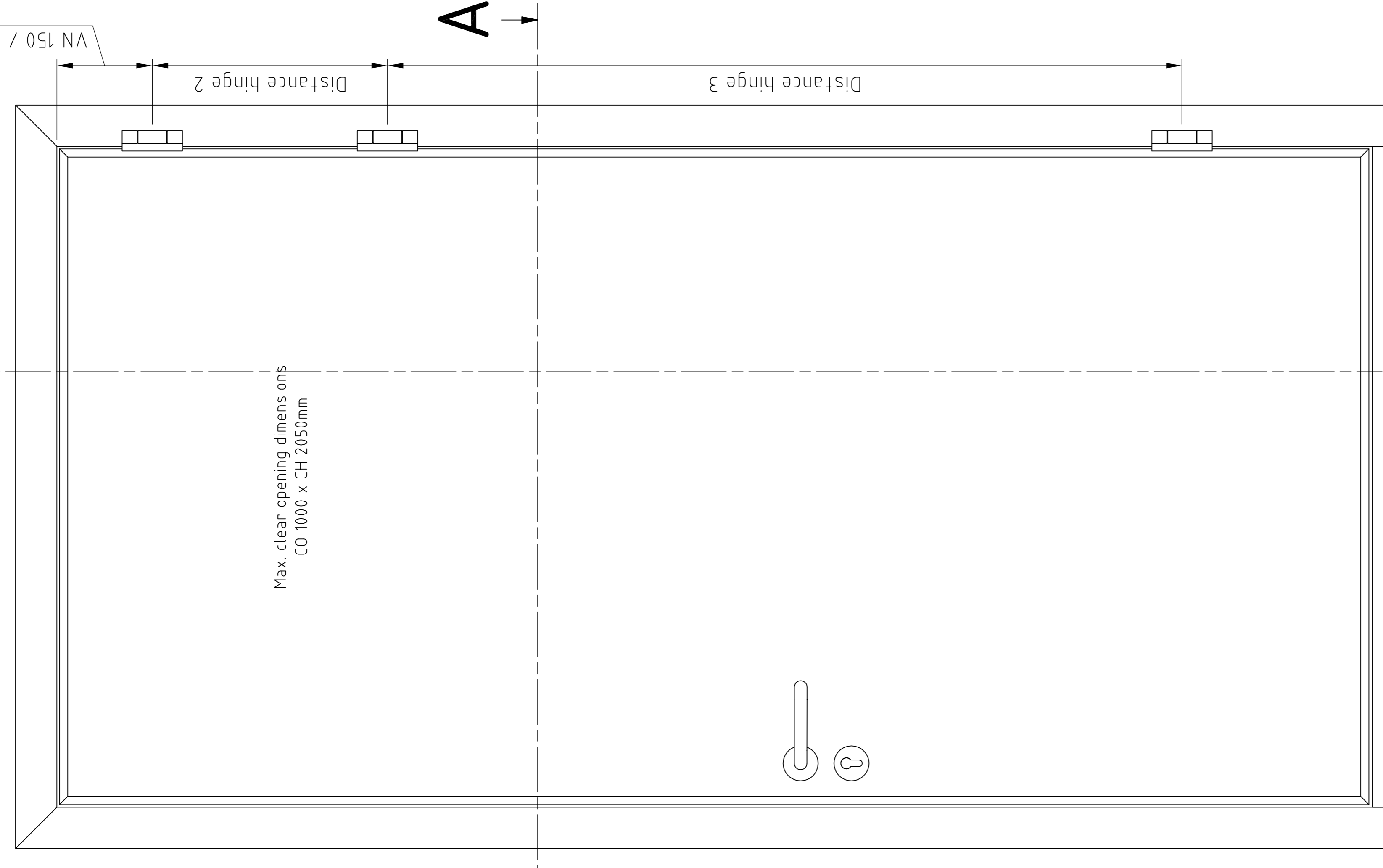
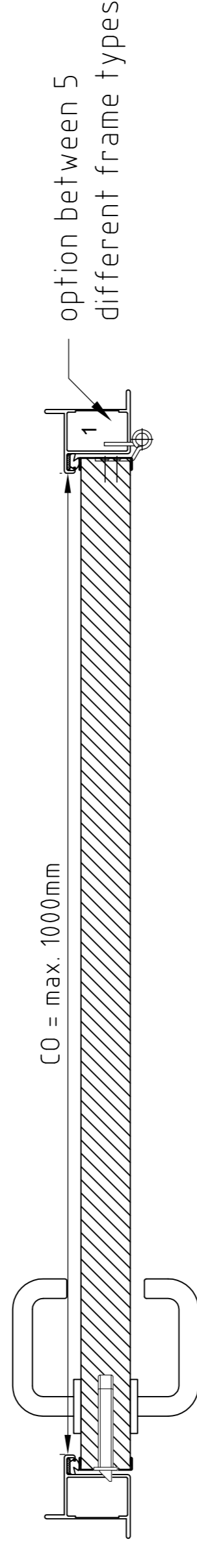


Hinge type VN

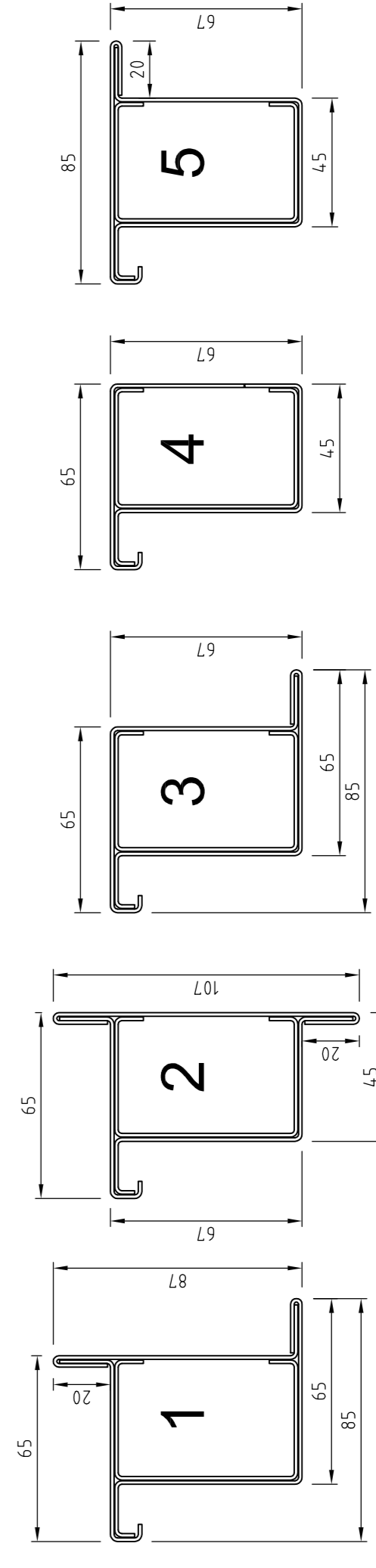
Vorderansicht / Frontview



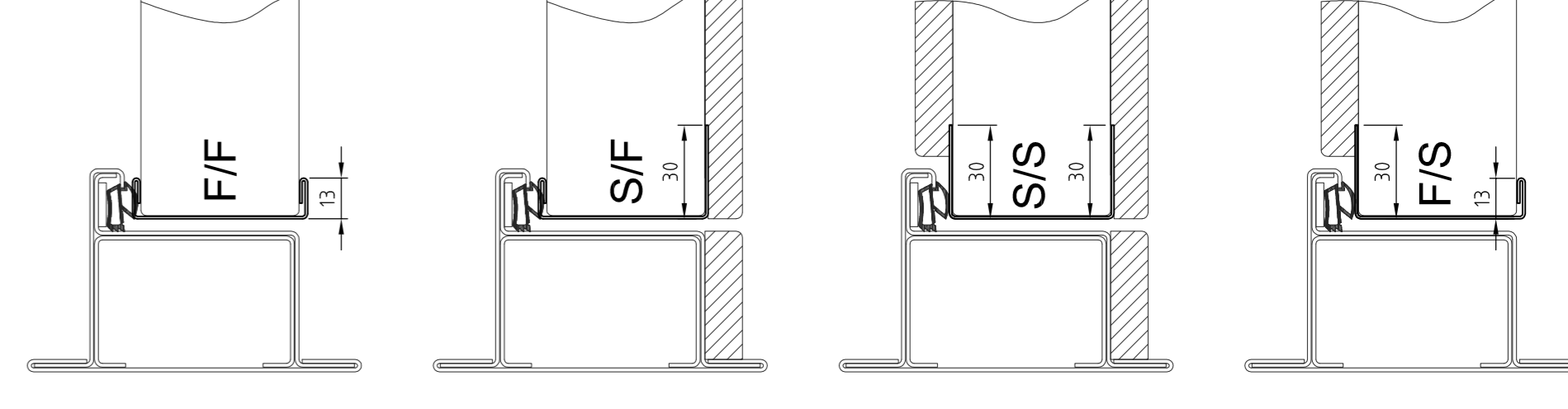
Schnitt A-A / Section A-A



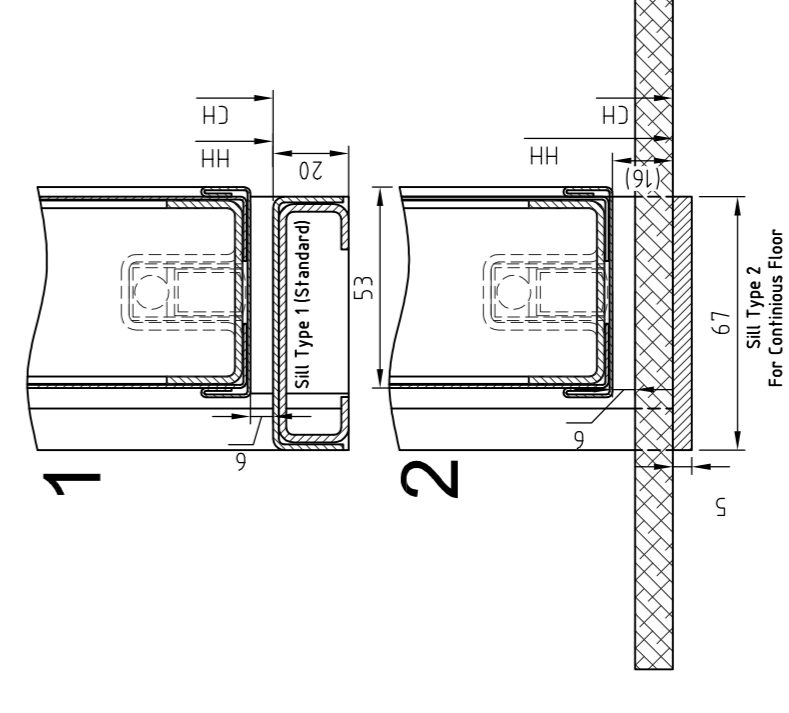
Frame type



Leaf frame

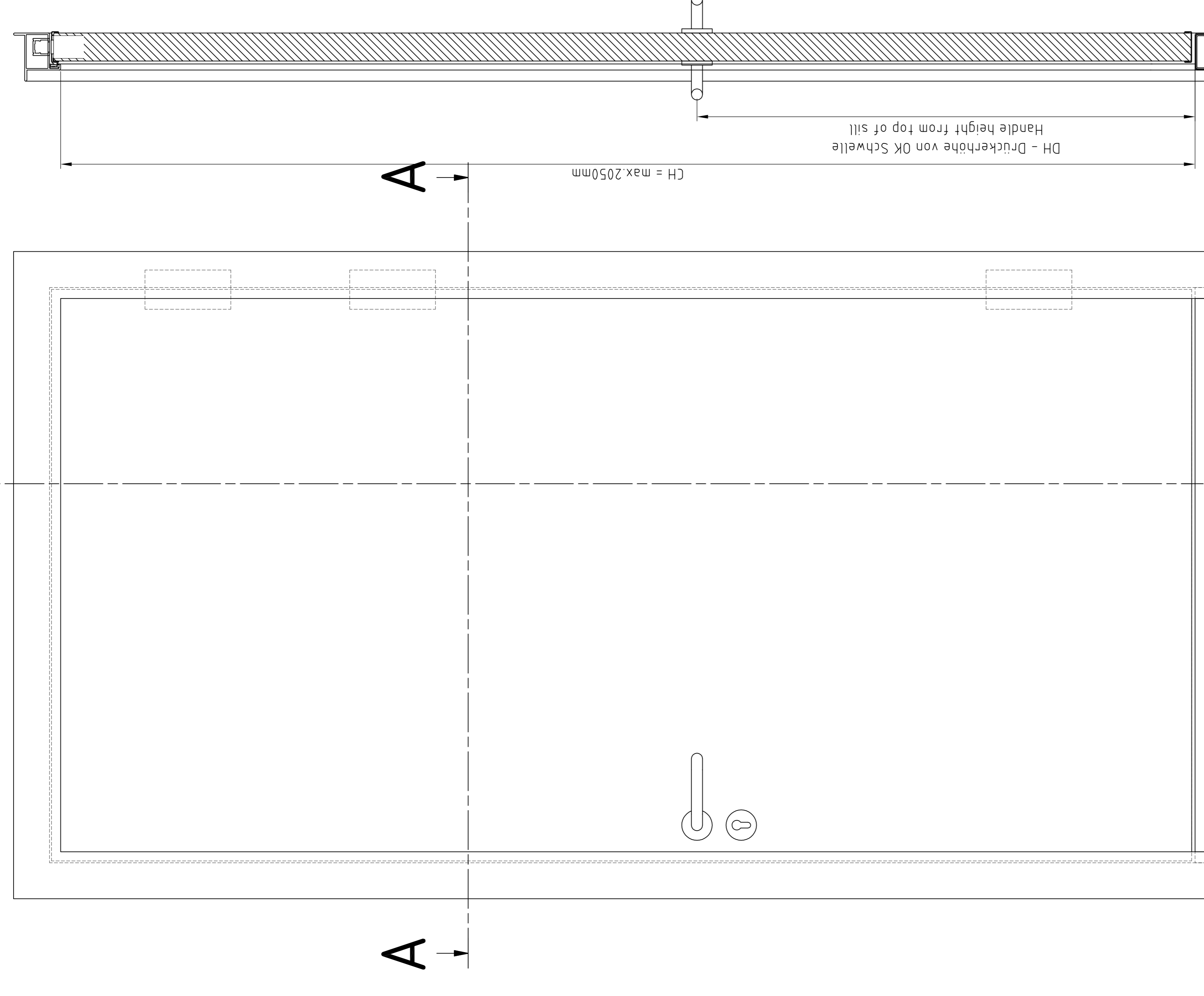


Sill type

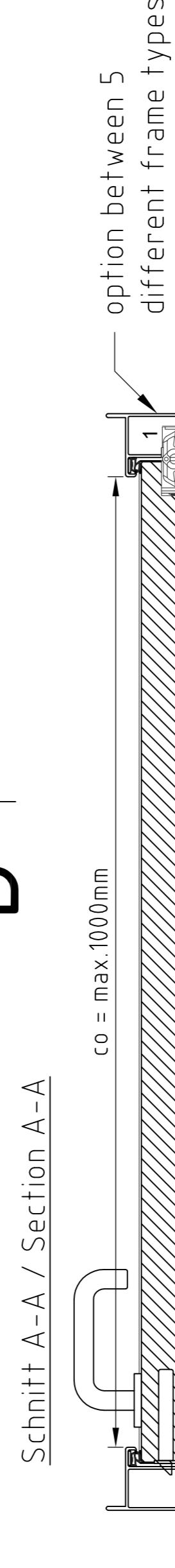


Hinge type TECTUS

Vorderansicht / Frontview



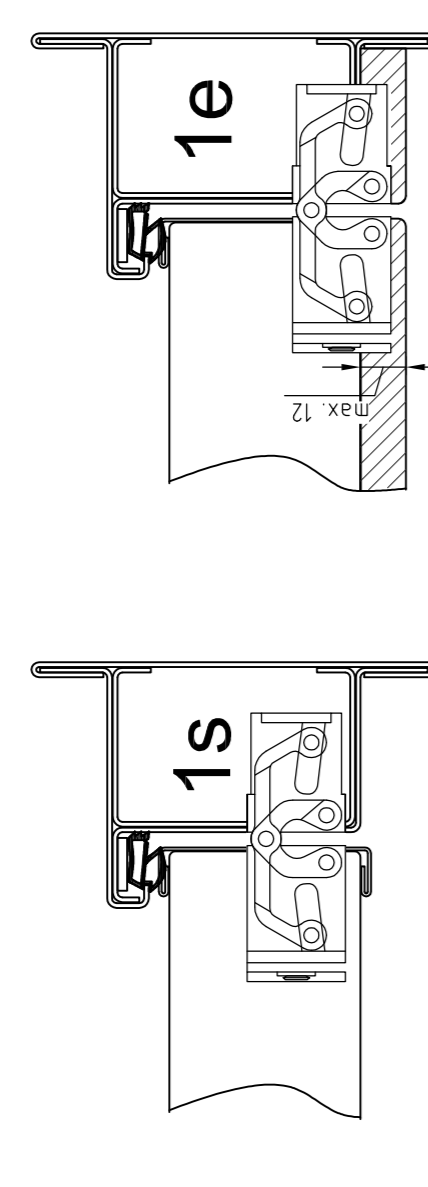
Schnitt A-A / Section A-A



Application / Limitation of Product

Since the door fulfills the requirements regarding insulation and integrity stated in HSC./Circ.1273 the following extended measures may be accepted for a specific project:
The maximum height of the door leaf is 2300mm, the maximum width of the door leaf is 1228mm, but the maximum area of the door leaf must not exceed 2,44m².

Hinge type tectus



Tectus concealed
Tectus extended

Please note following rules for distance of hinges type tectus

Clear height	+100mm	1500-1575mm	1600-1675mm	+100mm
Distance hinge 1	250mm	250mm	250mm	250mm
Distance hinge 2	250mm from bottom edge	250mm	250mm	250mm
Distance hinge 3	NONE	variable but max. 800mm	800mm	1050mm